



KRANKABINE ARMATURENHALTERUNG  
CRANE OPERATOR'S CAB, MOUNTING PIECE OF INSTRUMENT

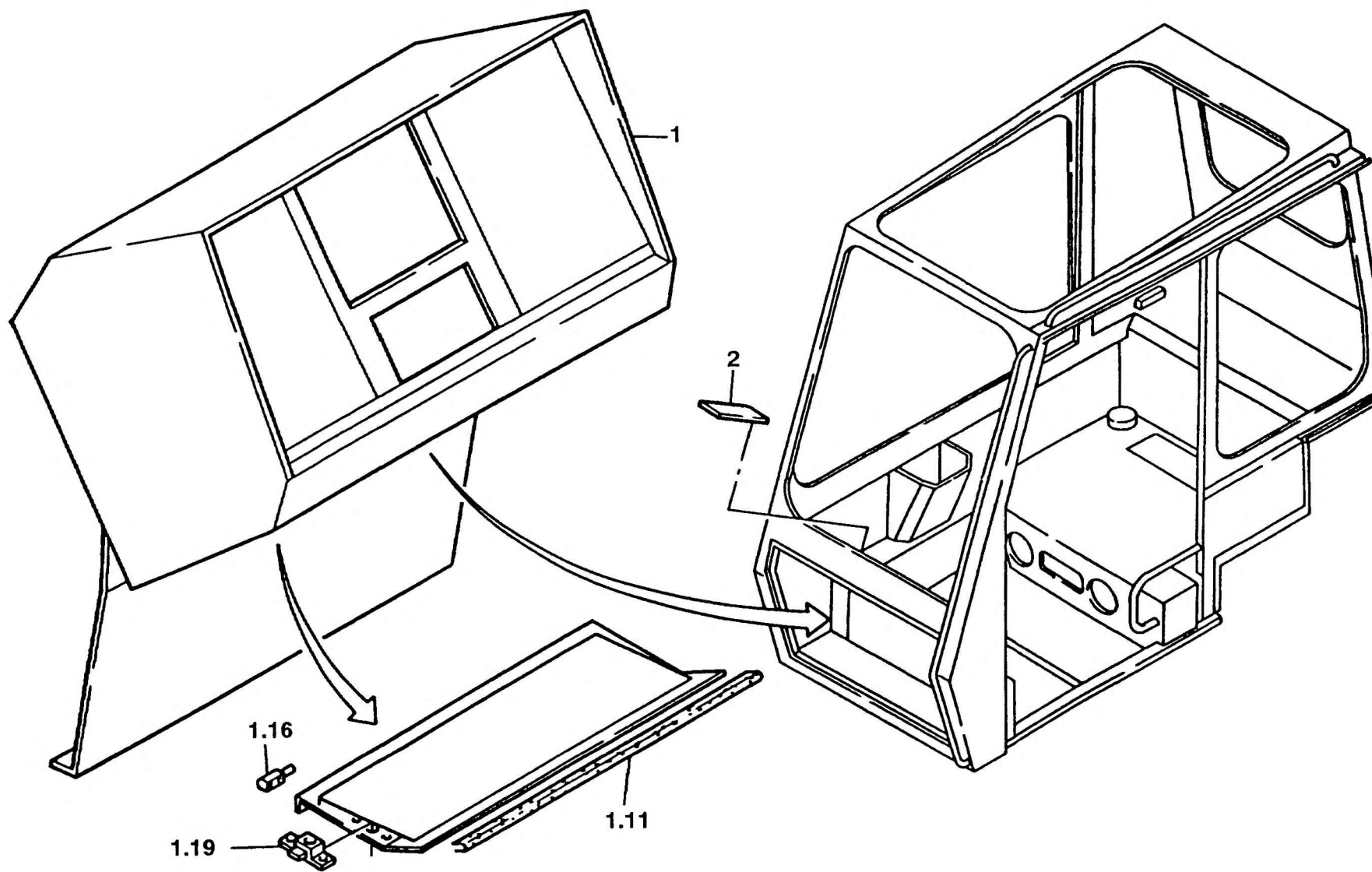
BILDTAFEL  
PICTORIAL DISPLAY

KMK 6160  
BE 630  
G 236

04.91

1971299-ETL

1/1



A05\_142